

Closer



+Halle®

Closer

Closer is an upholstered bar stool. The frame runs in an endless movement around the bar stool and the logic and light construction is supported by a seat pad in a stringent look with an inviting bend. The upholstery is refined with a unique stitching for a light and underplayed twist to a well-known type of stool. The light construction makes the chair immensely practical in use and can easily be stacked during cleaning and storage. Good Design Award winner.

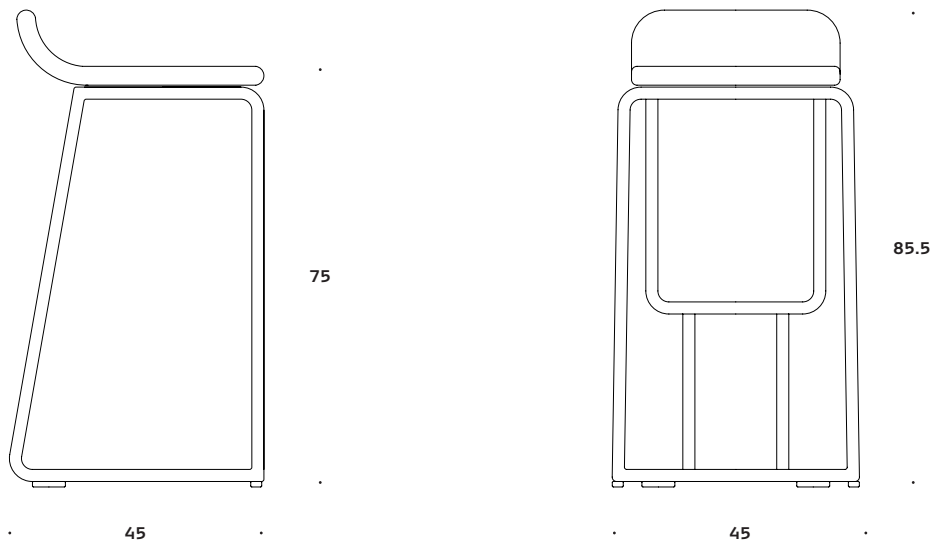
Designed by busk+hertzog

The Danish design duo was established in 2000 with a clear vision of being innovative and professional - but also with the aim of leading and inspiring a new generation of designers to further develop the Danish design legacy.



+Halle®





Dimensions defined in centimeter

Specifications

Design	busk+hertzog
Material	Base in chromed steel. Seat in upholstered moulded plywood
Fabric	Available in all fabrics and leather types

Notes

A large grid of small dots for taking notes.

Creating human spaces

+Halle is a Danish high quality design furniture brand. We strive to add value to public areas by contributing to the creation of Human Spaces. The basic idea behind +Halle can be put down to a basic understanding of people.